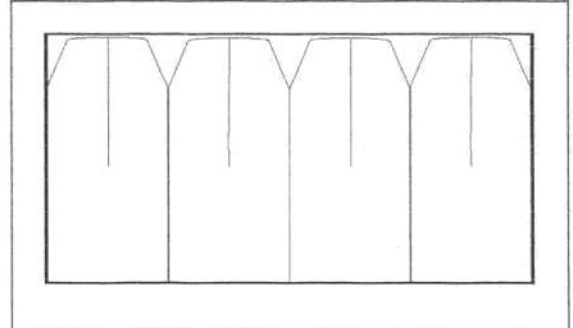


Instructions for the Assembly of the MJT BR Corridor Connections

Note: The printing on the black bellows material is of necessity not very pronounced. However when placed under a strong light they will become more apparent.

Step 1.

Cut around the base and side of the bellows following the printed lines. Do not at this stage attempt to cut the top curved profiles but use a straight cut in the waste material.

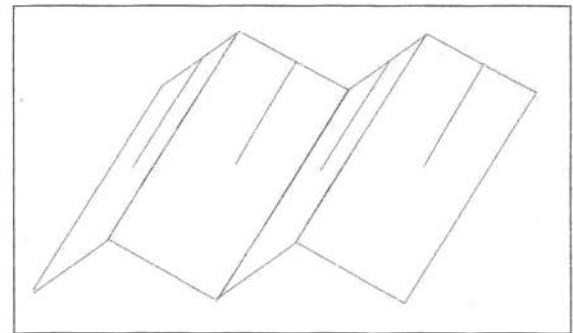


Step 2.

Fold the bellows in half with the printed centre line on the inside of the bend.

Step 3.

Fold each half back on itself, this time with the printed lines on the outside of the fold.



Step 4.

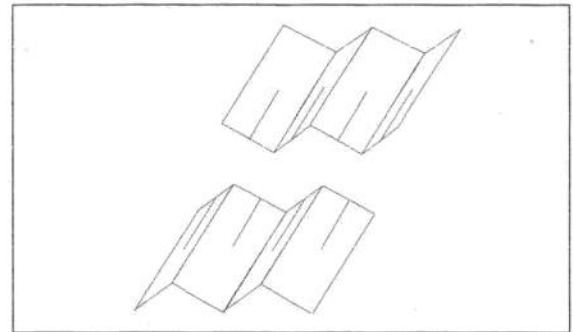
With the bellows folded up cut the 'slot'.

Step 5.

Repeat for the other half of the bellows.

Step 6.

Lace the two halves of the folded bellows together to form a lattice and compress until they are flat.



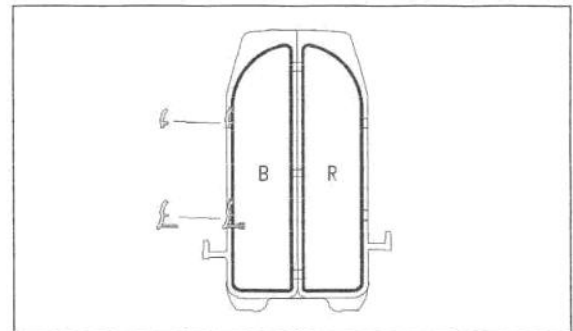
Step 7. With a sharp knife and using the printed lines as a guide, trim the upper profile for the top of the bellows.

Step 8.

Remove the etched components from the fret and clean up the remains of any tabs.

Step 9 (optional)

To be strictly prototypical you should solder the etched clips into position on the end cover, however they will probably get in the way when the corridor connections are used on a layout so are best left off. They have been included for completeness.

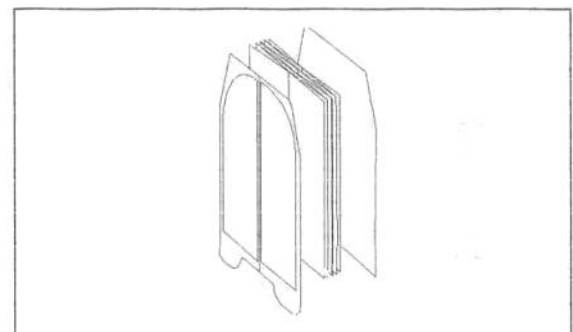


Step 10.

Paint the brass components black or alternatively they may be chemiblackened.

Step 11.

Glue the paper bellows to the brass end cover and inner plate using an impact adhesive and leave to set.



Your working corridor connections are now ready for fitting to the carriage.