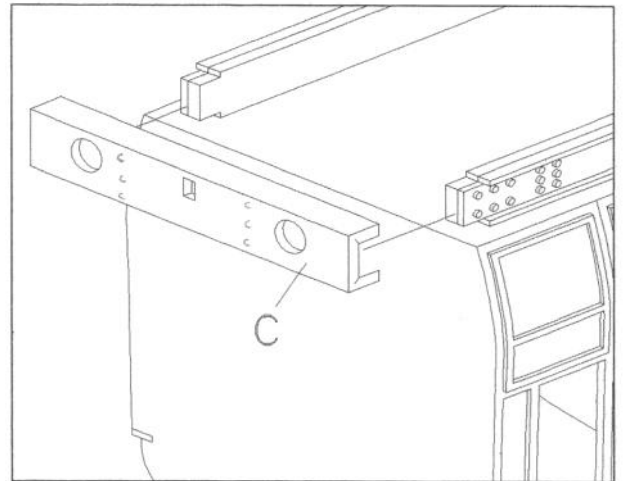


**MJT 2854**  
**Gresley Non-vestibuled**  
**Coach Ends**

Refer to the etch diagram to identify the various component parts:

- A) Electrical Connectors
- B) Body Location Clips
- C) Headstocks
- D) Coupling Plates
- E) Dimension Plates
- F) Alarm Indicator Arm
- G) Alarm Indicator Arm Lever Covers
- H) Alarm Indicator Release Valve
- I) Switch Gear Switch Mounting Flange
- J) Switch Gear Actuating Lever
- K) Switch Gear Switch Body
- L) Switch Gear Switch Cover
- M) Spare strip to fabricate Switch Gear Lever Brackets
- N) Lamp Brackets



Gresley Non Vestibule Carriage vary in the positioning of the various fittings. Those shown are the most common. Not all carriages featured the Switch Gear equipment.

Part C should be folded through 90 degrees with the half etch fold lines on the inside of the bend. Half etched blind holes are for rivets to be pressed through using a blunt scribe or rivetting tool.

All other parts should be folded through 180 degrees with the half etch fold lines on the outside of the bend.

